

Reference Code: WES10-M / 10-M-NV

WES Products
Unit 2 Aspen Way, Paignton,
Devon, TQ4 7QR.
Tel: +44 (0) 1803 521415
Email sales@wesproducts.co.uk
Web: www.wesproducts.co.uk



Technical Data Sheet

Flushmaster PIR Flush Controller - Mains Powered

Introduction:

The Flushmaster is a Urinal Flush Management system to prevent water being wasted through continuously flushing urinals.

Just one unmanaged 9L cistern when left to continually fill and flush can use up to 864 litres of water a day.

The Flushmaster uses a PIR motion sensor to detect the activity near the urinals, this then triggers a delay and flush cycle saving you money by reducing your water consumption.

The Flushmaster allows the flushing to be programmed depending on activity at the urinal, it will only flush once it has detected movement in the washroom and the users chosen delay time has passed, meaning water costs are kept to a minimum.

The Flushmaster also has a built in adjustable Janitor mode that activates a flush cycle after a chosen set number of hours if no movement is detected in the washroom to maintain a basic level of hygiene and cleanliness.

The Flushmaster also incorporates a fail safe feature that will prevent the PIR from false activating in darkness for example when the lights are off or at night-time.

A battery low condition is indicated by a short beep.

One Flushmaster per **cistern** is required i.e. a single urinal, a bank of urinals or wide trough urinals.

Within the installation pack you will find:

The Flushmaster Control Box with a 2 metre valve plug cable (Longer lengths available at request) & power supply attached.

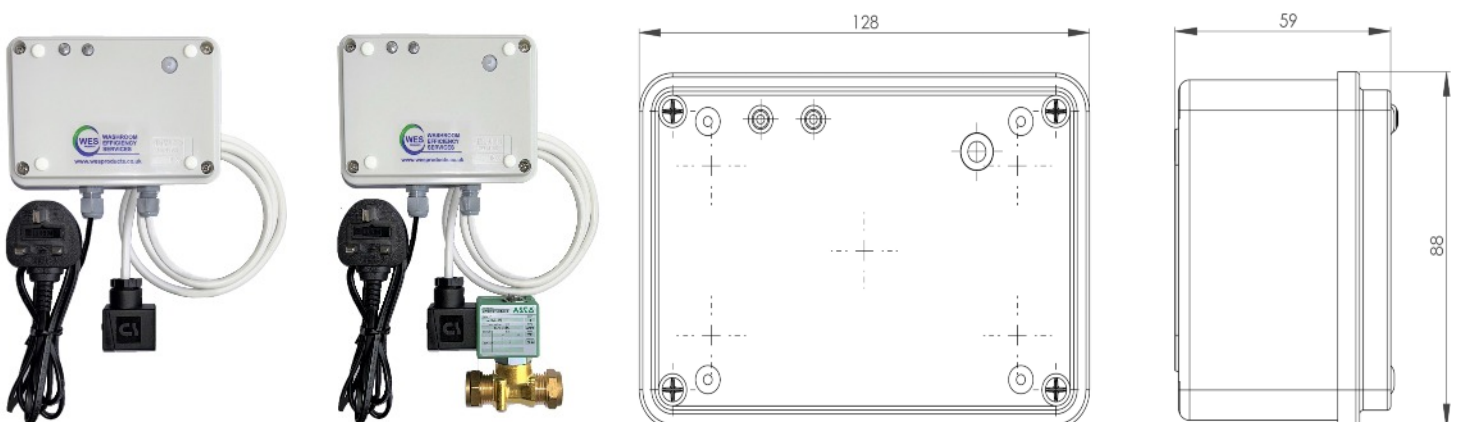
1 x Solenoid Valve (Only included in WES10-M).

1 x 9v Battery.

Screws & Fixings.

Instruction Sheet.

Basic Dimensions (mm)



Specification:

- **Fixed AC mains lead** UK plug fitted. Can be cut off for direct wiring into a fused spur.
- **Output** 12vdc 2A maximum.
- **Rated Input Voltage** 100-240Vac.
- **Batteries** 1 PP3 (9V) Quality Alkaline
- **Control Box** Grey ABS 120 x 80 x 50mm
- **PIR Sensor** Working Range of 6 Meters
- **Operating Temperature Range** 0°C to 40°C
- **Cistern Fill Time** 0-35 minutes (1 Second Steps)
- **Flush Delay** 0-99 minutes (1 Minutes Steps)
- **Light Sensor** Automatic Selection
- **Janitor Flush** Selectable 1 flush per 1, 3, 6, 12, 24 or 48 hours
- **Factory Default Settings** Fill Time 6 Mins, Delay Time 30 Mins, Janitor flush 24 Hours
- **Connection to valve** 2 meters of cable with pre-fitted valve plug & cable gland (Longer length cable available on request)
- **Flush Counter** To check how many flushes in total, press "Function" when the screen turns on press and Hold "Adjust" for 3 seconds

Valve (Only included with WES10-M)

- **Valve Fault** Warble Alarm
- **Valve Type** 2mm Latching Bi-Stable Solenoid Valve
- **Valve Voltage** 6 VDC / 40ms Pulse
- **Valve Fittings** 1/2" BSP / 15mm Compression
- **Valve Max Pressure** 10 Bar
- **Flushmaster Working Pressure** 1 - 7 Bar
- **Service Interval** 3 Years (Recommended)

Installation

The Flushmaster will normally be located on the ceiling positioned at the centre of the urinals to be controlled, facing downward and positioned at approx 0.5m - 0.8m from the cistern wall.

Mounting on a vertical wall is also permissible in some locations but not considered ideal as false activation will occur from other occupants using other facilities in the washroom, thus causing unnecessary water waste.

For correct operation, people moving to the urinal must cross the PIR detector "beam". The Flushmaster when installed in ideal conditions will detect human movement up to 6m away from the PIR sensor.

Avoid if possible locating the control box near heat sources (e.g. radiators), or where sunlight can fall on the PIR detector window.

Valve Installation

Turn off the water supply and identify a suitable location for the solenoid valve assembly. Remove a section of pipe and fit the solenoid valve taking note of water flow direction and the flow markings on the valve.

Programming

Program your required flush delay time (The time between movement detected and flushing starting) and Janitor flush frequency as per the installation instructions provided in the box, email copies are available on request.

Testing

The Flushmaster has a built in test mode which allows the installer to ensure the device is working and is able to detect movement following installation and programming.

